



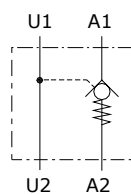
## Type VBPSL pilot operated check valves

- Single acting

Technical specifications and diagrams are measured with mineral oil ISO VG32 at 50°C (122°F) temperature.

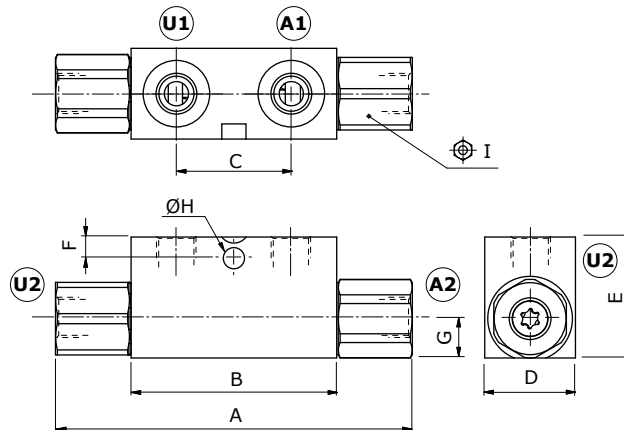
	<b>VBPSL 14</b>	<b>VBPSL/VP 38</b>	<b>VBPSL 38</b>	<b>VBPSL/VP 12</b>	<b>VBPSL 12</b>	<b>VBPSL 34</b>	
Nominal flow	30 l/min (7.9 US gpm)	30 l/min (7.9 US gpm)	50 l/min (13.2 US gpm)	50 l/min (13.2 US gpm)	80 l/min (21.1 US gpm)	120 l/min (31.7 US gpm)	
Max. pressure	350 bar (5100 psi)	350 bar (5100 psi)	300 bar (4350 psi)	300 bar (4350 psi)	300 bar (4350 psi)	300 bar (4350 psi)	
Oil leakage	0.25 cm <sup>3</sup> /min (0.015 in <sup>3</sup> /min) at 210 bar (3050 psi)						
Fluid	mineral based oil						
Viscosity	from 10 to 200 cSt						
Max. level of contamination	18/16/13 ISO4406						
Fluid temperature	with NBR seals: from -20°C (-4°F) to 80°C (176°F)						
Environmental temp. for working conditions	-40°C (-40°F) to 100°C (212°F)						
Weight	steel	0.68 kg (1.50 lb)	0.63 kg (1.39 lb)	0.97 kg (2.14 lb)	0.90 kg (1.98 lb)	1.69 kg (3.72 lb)	3.06 kg (6.75 lb)

NOTE - For different conditions, please contact Walvoil Sales Dpt.



### Dimensions

Valve type	All ports
<b>VBPSL 14</b>	G1/4
<b>VBPSL/VP 38</b>	G3/8
<b>VBPSL 38</b>	G3/8
<b>VBPSL/VP 12</b>	G1/2
<b>VBPSL 12</b>	G1/2
<b>VBPSL 34</b>	G3/4



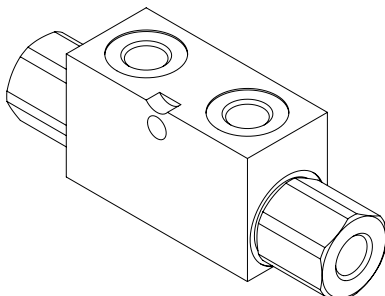
Dimensions are in mm-in

Valve type	A max.	B	C	D	E	F	G	ØH	⊕I
<b>VBPSL 14</b>	118-4.64	68-2.68	38-1.50	30-1.18	40-1.57	7-0.27	13-0.51	8-0.31	24
<b>VBPSL/VP 38</b>	118-4.64	68-2.68	38-1.50	30-1.18	40-1.57	7-0.27	13-0.51	8-0.31	24
<b>VBPSL 38</b>	144-5.67	80-3.15	40-1.57	30-1.18	50-1.97	15-0.59	16-0.63	8.5-0.33	27
<b>VBPSL/VP 12</b>	144-5.67	80-3.15	40-1.57	30-1.18	50-1.97	15-0.59	16-0.63	8.5-0.33	27
<b>VBPSL 12</b>	171-6.73	90-3.54	40-1.57	40-1.57	60-2.36	15-0.59	20-0.79	8.5-0.33	30
<b>VBPSL 34</b>	196 <sup>(1)</sup> -7.72 <sup>(1)</sup>	107-4.21	60-2.36	50-1.97	70-2.75	16-0.63	23-0.90	8.5-0.33	41

NOTE - <sup>(1)</sup> only for 04 SAE 208

### Ordering codes and description composition

└─ Port size
└─ Opening pressure  
**VBPSL 14 / p4,5 / Pa4 / ac**  
└─ Pilot ratio



#### VBPSL complete valves

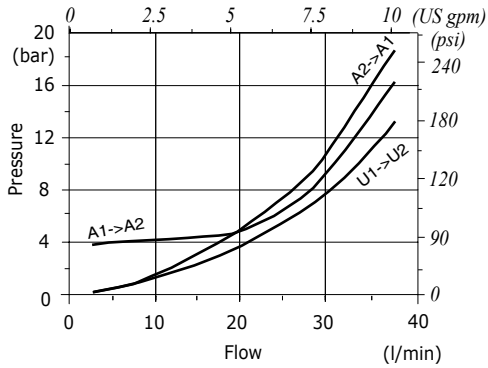
*Steel body*

TYPE	CODE	DESCRIPTION
<b>VBPSL 14/p4,5/Pa4/ac</b>	1410112100	G1/4 port, pilot ratio 1:4.5, opening press. 4 bar (58 psi)
<b>VBPSL 38/p4/Pa4/ac</b>	1410122100	G3/8 port, pilot ratio 1:4, opening press. 4 bar (58 psi)
<b>VBPSL/VP 38/p4,5/Pa4/ac</b>	1410122101	G3/8 port, pilot ratio 1:4.5, opening press. 4 bar (58 psi)
<b>VBPSL 12/p4/Pa4/ac</b>	1410132100	G1/2 port, pilot ratio 1:4, opening press. 4 bar (58 psi)
<b>VBPSL/VP 12/p4/Pa4/ac</b>	1410132101	G1/2 port, pilot ratio 1:4, opening press. 4 bar (58 psi)
<b>VBPSL 34/p4/Pa4/ac</b>	1410142100	G3/4 port, pilot ratio 1:4, opening press. 4 bar (58 psi)

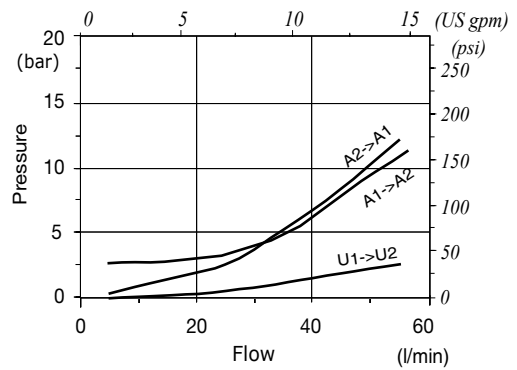
For different configurations or SAE thread please contact our Sales Dpt.

**Rating diagrams**

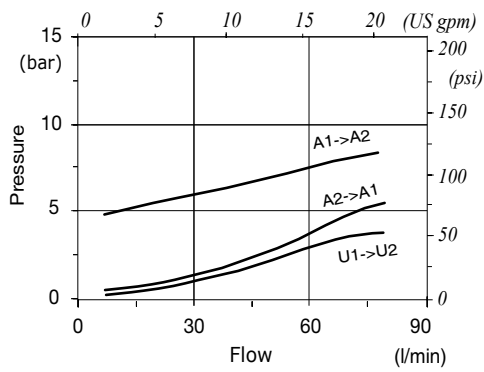
**VBPSL 14 pressure drop vs. flow**



**VBPSL 38 pressure drop vs. flow**



**VBPSL 12 pressure drop vs. flow**



**VBPSL 34 pressure drop vs. flow**

