

Titan series

Cast iron gear Pumps & Motors

Extract from D2WWEM03A technical catalog



- Long life expectancy
- High efficiencies and pressure limits
- Reduced number of components
- Reduced overall dimension
- **Female spline** Compact Tandem Capability.
- SAE B, SAE C and EUR front flanges
- **Higher shaft diameter**; Ø32 mm (1.26 in), up to 900 Nm (664 lbf·ft) and up to up to 500 Nm (369 lbf·ft) between stages
- **New shafts** SAE S15, 16/32 inch keyed
- **Reversible sealing**
- Special configurations for **dealers**

New range of 3TPW Cast Iron Pumps and 3TMW Cast Iron Motors.

These pumps and motors are particularly suitable for all applications where traditional aluminum pumps and motors are used at the limit of their performance; eg. for installation on mobile equipment intended for heavy duty operating cycles, where pressures or mechanical stresses are typically higher.

Working conditions		
Displacement		from 23.9 to 79.8 cm ³ /rev - from 1.46 to 4.87 in ³ /rev
Max continuous pressure	up to	300 bar - 4350 psi
Fluid		hydraulic mineral oil-based
Fluid temperature range		from -20 to +80 °C - from -4 to +176 °F
Viscosity	Recommended	from 15 to 92 mm ² /s (cSt)
	Permitted for starting	2000 mm ² /s (cSt)
Max level of contamination	Recommended for operating pressure > 150 bar (2150 psi)	20/18/15 ISO 4406 - class 9 (NAS 1638)
	Recommended for operating pressure < 150 bar (2150 psi)	21/19/16 ISO 4406 - class 10 (NAS 1638)

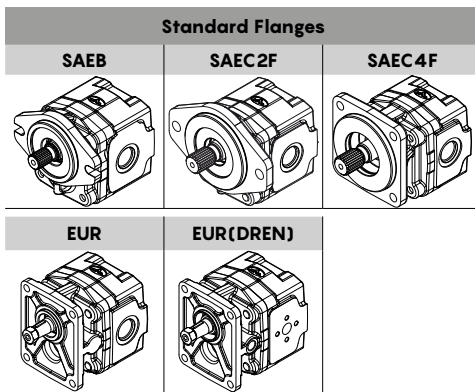
NOTE: for motor configuration please contact our Sales Department.

Type	Displacement		P1 Max continuous pressure		P2 Max intermittent pressure		P3 * Max peak pressure		Rotation speed	
	cm ³ /rev	in ³ /rev	bar	psi	bar	psi	bar	psi	rpm (max)	rpm (min)
3TPW-3TMW 230	23.9	1.46	300	4350	320	4650	330	4780	3000	500
3TPW-3TMW 280	28.0	1.71	300	4350	320	4650	330	4780	3000	500
3TPW-3TMW 320	32.2	1.96	300	4350	320	4650	330	4780	3000	500
3TPW-3TMW 390	39.7	2.42	300	4350	320	4650	330	4780	3000	500
3TPW-3TMW 430	43.8	2.67	300	4350	320	4650	330	4780	3000	500
3TPW-3TMW 470	47.9	2.92	290	4200	310	4490	320	4650	3000	500
3TPW-3TMW 520	52.0	3.18	290	4200	310	4490	320	4650	2800	500
3TPW-3TMW 560	56.8	3.47	290	4200	310	4490	320	4650	2500	500
3TPW-3TMW 600	60.9	3.72	270	3910	290	4200	300	4350	2500	500
3TPW-3TMW 650	65.0	3.97	250	3620	270	3910	280	4050	2500	500
3TPW-3TMW 710	71.6	4.37	230	3330	250	3620	260	3770	2500	500
3TPW-3TMW 790	79.8	4.87	210	3050	230	3330	240	3480	2500	500

NOTE (*): pressure value not to be considered for reversible motors

Titan Series

Available shaft and flanges



		Shaft / Flange combination				
		Shafts	Flanges			
Type	Description	Transmitted torque (max)	SAEB	SAEC2F	SAEC4F	EUR
10	Tapered 1:8	240 Nm - 178 lbf ^t	-	-	-	•
13	SAEB parallel shaft	200 Nm - 148 lbf ^t	•	•	-	-
S13	SAEB 13T splined	280 Nm - 207 lbf ^t	•	•	-	-
S13N	SAEB 13T splined NS (increased torque)	300 Nm - 221 lbf ^t	•	•	-	-
S14	SAEC 14T splined	900 Nm - 664 lbf ^t	•	•	-	-
S14L	SAEC 14T splined L (long)	900 Nm - 664 lbf ^t	-	-	•	-
S15	SAEBB 15T splined	400 Nm - 296 lbf ^t	•	•	-	-
S15L	SAEBB 15T splined L (long)	400 Nm - 296 lbf ^t	-	-	•	-

• = standard configuration - = non-standard configuration

Tandem pumps

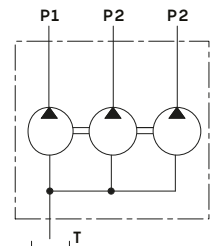
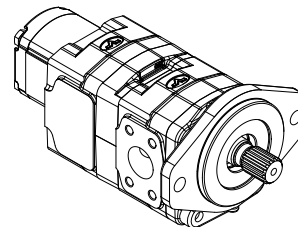
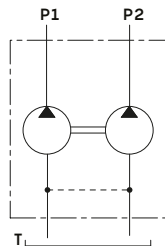
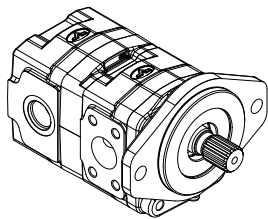
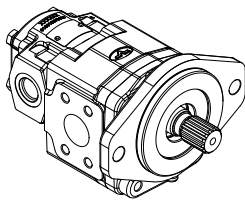
The Titan Series cast iron pumps can be configured in tandem, both with each other and with the Xtreme Series pumps in cast iron and aluminum.

Special compact coupling kits allow for single and separate suction configurations.

3TPW+2XPW tandem separate suction example

3TPW+3TPW tandem separate suction example

3TPW+3TPW+2XP tandem common suction example



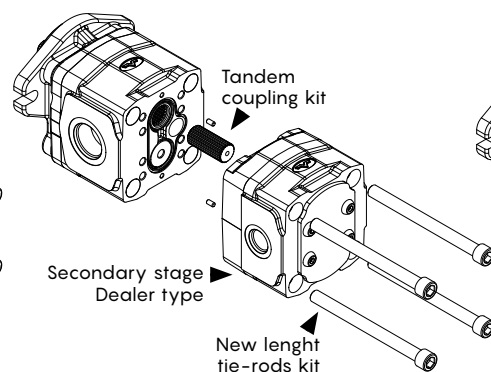
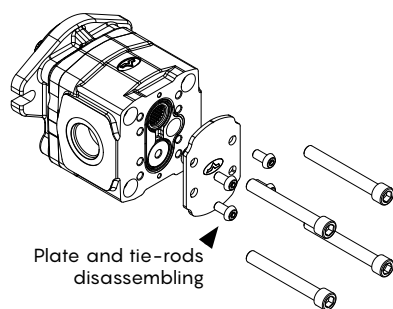
Dealer configuration

Titan Series pumps and motors are available with special body versions for Dealers.

This body option (**G0D**) is the solution when a single pump is required but the possibility of converting it into a multiple pump with common suction needs to be retained.

The body is dedicate for clockwise (**D**) or counter-clockwise (**S**) rotation and it can be configured with only ports pre-drilling.

Single stage pump Dealer type



Double stage pump Dealer type

Special configurations

Titan series bodies can be configured with auxiliary valves arrangement or priority valve; please contact our Sales Department.

