



Accessories

- Preassembled connector kits for the control unit interface
- Preassembled connector kits for the joystick interface
- Preassembled connector kits for the solenoid valve interface
- Control unit programming cables

Programming cables

These cables are used to connect a personal computer running our WST software to the electronic control unit for the directional control valve.

The programming cable is installed between the electronic control unit (D1 connector) and the harness (D1A connector), as shown in the picture.

Cable kit

In addition to the pre-configured cables of the KCD series, Walvoil offers the opportunity to assemble custom cables.

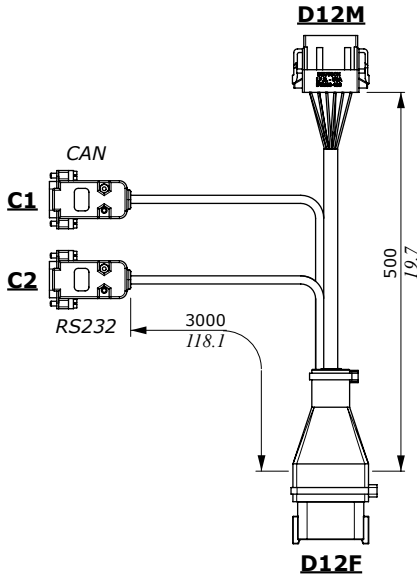
Using the suitable pre-assembled connector kit, you can meet the needs of connecting electronic components and electro-proportional controls on Walvoil directional valves.

Programming cables

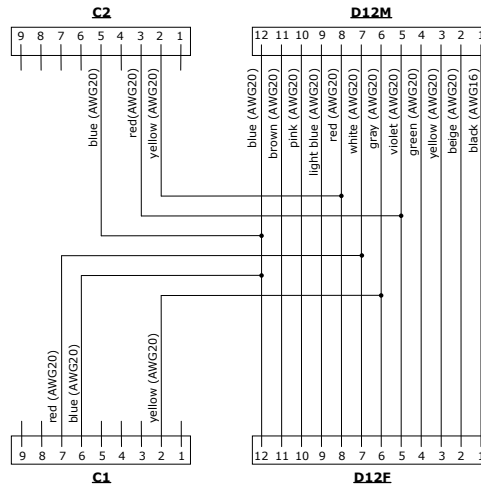
For CED400W control units

Code	VCAV600018
Description	CED400W programming cable
Notes	RS232 and CAN bus programming

Connector types		
ID	Type	Connection to
D12M	DTM06-12SA Deutch	CED400W control units
D12F	DTM04-12PA Deutch	Harness
C1+C2	SUB-D 9 poles, female	Personal computer



Electrical wiring

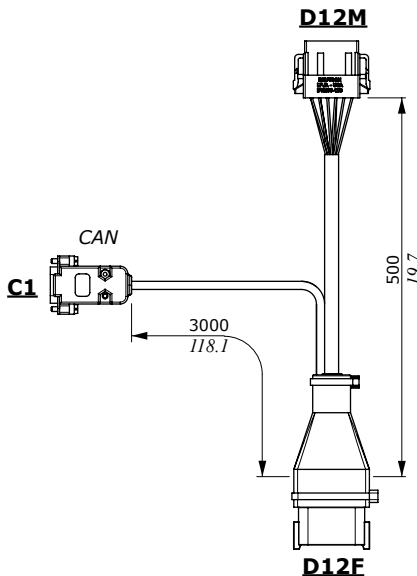


Connector PIN-OUT		
Pin	Functions	
	C1 conn.	C2 conn.
1	not connected	not connected
2	CAN_L	Tx
3	not connected	Rx
4	not connected	not connected
5	not connected	GND
6	GND	not connected
7	CAN_H	not connected
8	not connected	not connected
9	not connected	not connected

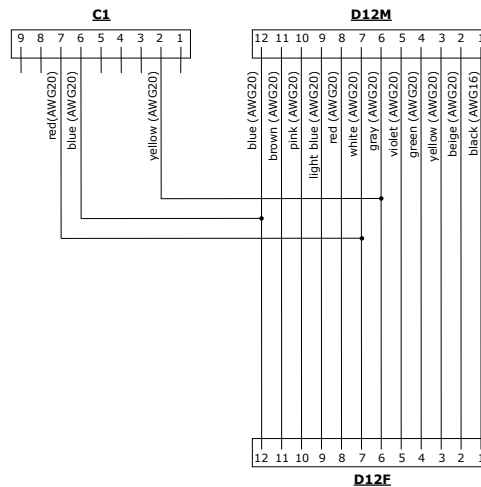
For CED040-CED160 control unit

Code	VCAV600021
Description	CED040-CED160 programming cable
Notes	CAN bus programming

Connector types		
ID	Type	Connection to
D12M	DTM06-12SA Deutch	CED040-CED160 control units
D12F	DTM04-12PA Deutch	Harness
C1	SUB-D 9 poles, female	Personal computer



Electrical wiring

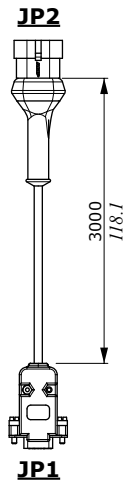


C1 connector PIN-OUT	
Pin	Functions
1	not connected
2	CAN_L
3	not connected
4	not connected
5	not connected
6	GND
7	CAN_H
8	not connected
9	not connected

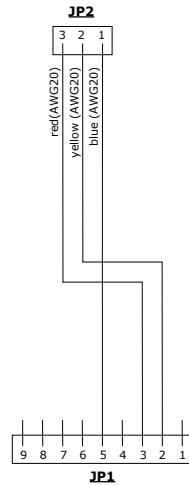
Programming cables

For CED252 control unit

Code	VCAV600014
Description	CED252 programming cable
Notes	RS232 programming



Electrical wiring



Connector PIN-OUT

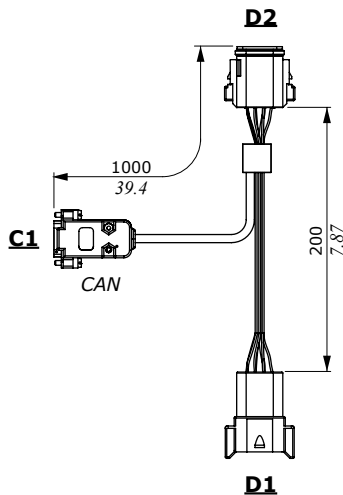
Pin	Functions	
	JP1 conn.	JP2 conn.
1	not connected	GND
2	Tx	Tx
3	Rx	Rx
4	not connected	/
5	GND	/
6	not connected	/
7	not connected	/
8	not connected	/
9	not connected	/

Connector types

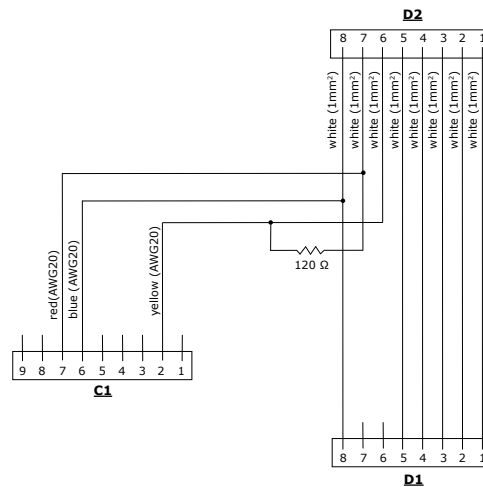
ID	Type	Connection to
JP1	SUB-D 9 poles, female	Personal computer
JP2	AMP Supereal, 3 poles	CED252 control unit

For PVD200 proportional valve driver

Code	VCAV600024
Description	PVD200 programming cable
Notes	CAN bus programming



Electrical wiring



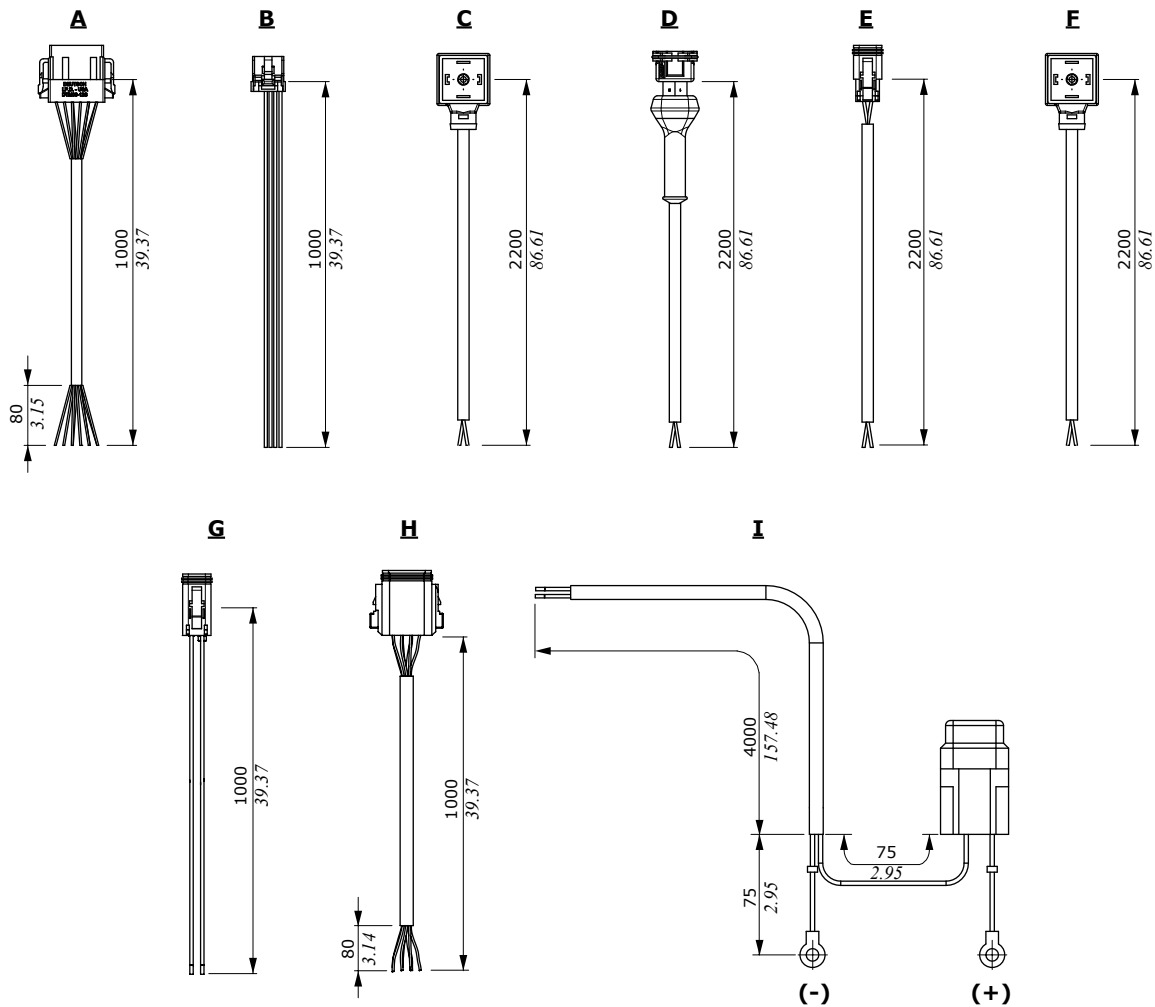
Connector types

ID	Type	Connection to
D1	DT04-8PB Deutsch	Harness
D2	DT06-8SB Deutsch	PVD200 prop. valve driver
C1	SUB-D 9 poles, female	Personal computer 1mm²

C1 connector PIN-OUT

Pin	Functions
1	not connected
2	CAN_L
3	not connected
4	not connected
5	not connected
6	GND
7	CAN_H
8	not connected
9	not connected

Cables kit



Cable kit types			
ID	Code	Connector	Connection to
A	YCON140041	DTM06-12S Grey Deutsch	CED400W-CED040-CED160 control units, AJW joysticks
A	YCON140067	DTM06-12SB Black Deutsch	CED400W-CED040-CED160 control units
B	YCON140073	Multilock series 040 Tyco	CJW joysticks
C	VCAV100008	ISO4400	Solenoid valves 3P + T
D	VCAV100011	JPT AMP	Solenoid valves
E	VCAV100071	DT06-2S Deutsch	Solenoid valves
F	VCAV100007	ISO4400	Solenoid valves 2P + T
G	YCON140072	DT06-4S	SPSD, SPSSL sensors
H	YCON140081	Amphenol AT06-08SA Grey	PVD200
H	YCON140082	Amphenol AT06-08SB Black	PVD200
I	W0410005	Eyelet terminal	Battery

Features

Wire colour and section						
Pin	A cable	B cable	C cable	D cable	E cable	F cable
1	brown (AWG20)	not connected	brown (AWG18) Valve 1/2-	blue (AWG18) Valve +	blue (AWG18) Valve +	brown (AWG18) Valve -
2	white (AWG20)	not connected	blue (AWG18) Valve1 +	brown (AWG18) Valve -	brown (AWG18) Valve -	blue (AWG18) Valve 1 +
3	violet (AWG20)	green (AWG20) CAN_H	black (AWG18) Valve 2 +	/	/	/
4	pink (AWG20)	yellow (AWG20) CAN_L	yellow green (AWG18) GND	/	/	/
5	red (AWG20)	black (AWG20) GND	/	/	/	/
6	gray (AWG20)	not connected	/	/	/	/
7	beige (AWG20)	not connected	/	/	/	/
8	blue (AWG20)	not connected	/	/	/	/
9	light blue (AWG20)	not connected	/	/	/	/
10	yellow (AWG20)	not connected	/	/	/	/
11	green (AWG20)	red (AWG20) VB+	/	/	/	/
12	black (AWG16)	gray (AWG20) GND	/	/	/	/

Wire colour and section			
Pin	G cable	H cable	I cable
1	red (1 mm ²)	black (AWG16)	brown (1.5mm ²) battery +
2	green	beige (AWG20)	blue (1.5mm ²) battery -
3	black (1 mm ²)	yellow (AWG20)	/
4	yellow (1 mm ²)	green (AWG20)	/
5	/	blue (AWG20)	/
6	/	violet (AWG20)	/
7	/	gray (AWG20)	/
8	/	brown (AWG20)	/