

NEW

SVM980

Hydraulic joystick
with differential area



A member of



SVM980

Hydraulic joystick
with differential area



SVM980 is Walvoil's new hydraulic joystick with differential area.

In this way Walvoil expands the hydraulic pilot control valves range by introducing a unique product for at least two main features:

- the lowest operating forces for the operator among the entire range of hydraulic pilot control valves;
- the possibility to manage and regulate high flow rates, thanks to the large diameters of the spools a useful and necessary condition especially on large machines.

Thanks to a new patented design solution as well, Walvoil changes the traditional construction architecture used for other products of the same type, offering an innovative, original, solid and reliable product, completely adaptable to customer needs by the modularity of the fixing flanges and the endless possibilities of completion thanks to the compatibility with all the handles of the Walvoil catalogue.

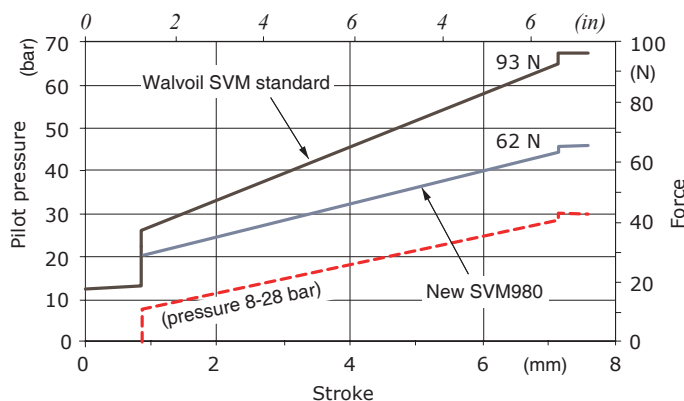
- Low drive force
- Ability to handle increased flow rate
- Cast iron body for high strength and reliability
- Compatible with all the Walvoil handles

Working conditions

| | |
|--|--|
| Min. pressure | 30 bar - 435 psi |
| Max. pressure | 100 bar - 1450 psi |
| Max. back pressure | 4 bar - 58 psi |
| Max. rated flow | 20 l/min - 5.28 Us gpm |
| Hydraulic fluid | mineral oil |
| Kinematic viscosity | 3 - 400 mm ² /s - 3 - 400 cSt |
| Operating temperature | -20/+90°C - -4/+194°F |
| Contamination | 18/15 (ISO/DIS 4406) |
| Hysteresis max. | 0.5 bar - 7.25 psi |
| Internal leakage with all spool in neutral P→T, 30 bar, 38 cSt | max. 50 cm ³ /min - 3.05 in ³ /min |
| Internal leakage when one spool in supplying pressure to work port P→T, 30 bar, 38 cSt | max. 75 cm ³ /min - 4.57 in ³ /min |

Performance data

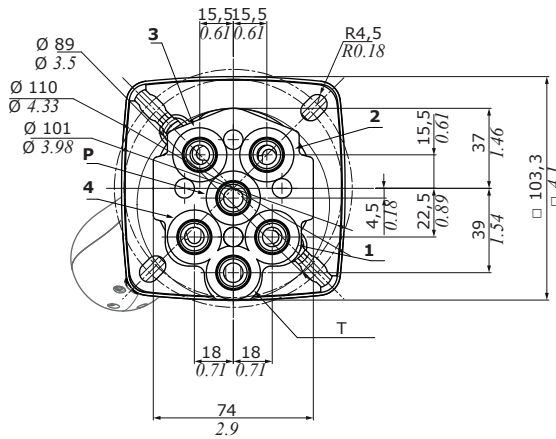
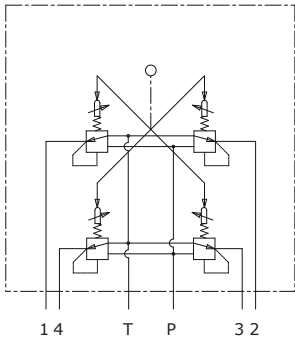
Comparison between SVM980 and SVM std.



NEW

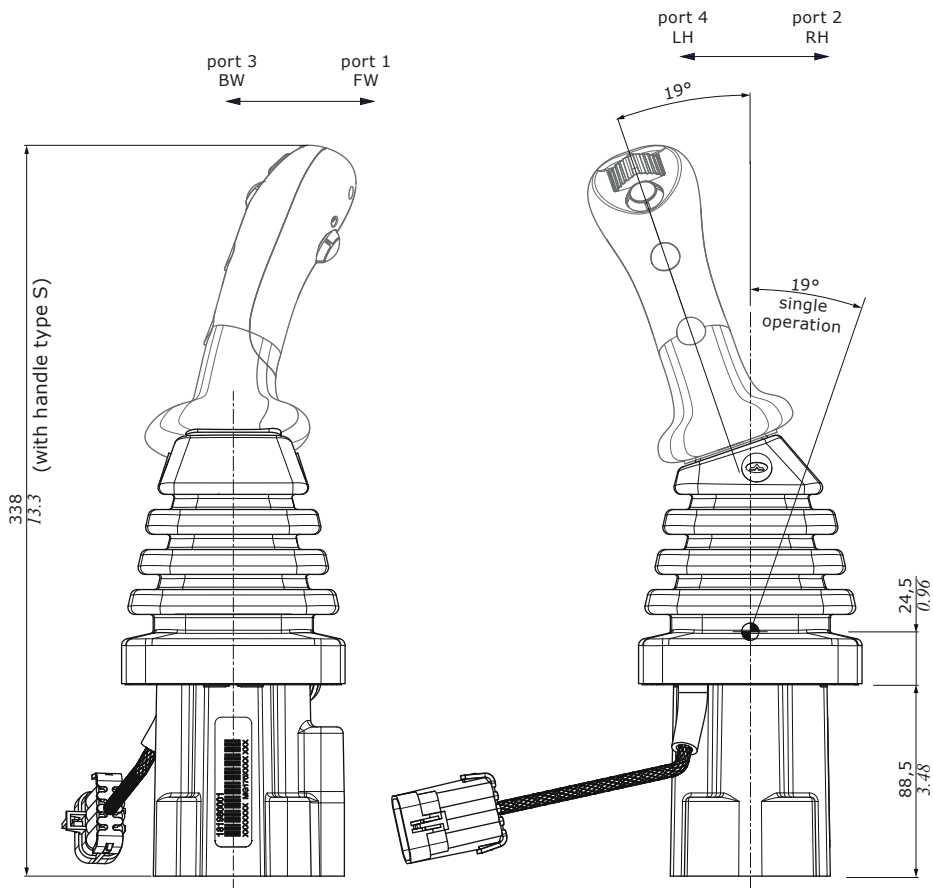
Dimensions

HYDRAULIC CIRCUIT



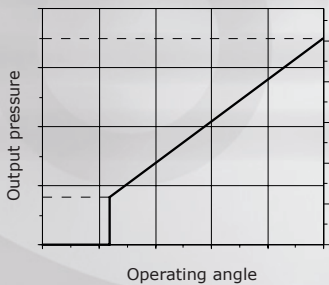
Ports thread

| BSP | UN-UNF |
|-----|------------------|
| 3/8 | 9/16-18 UNI SAE6 |
| 1/4 | - |

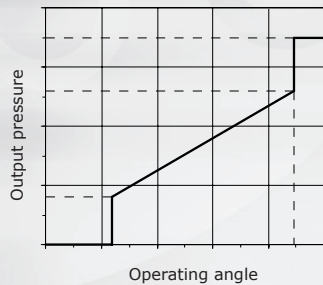


Available control curve types

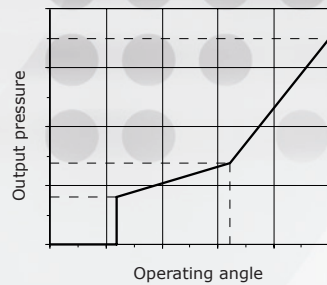
Straight type



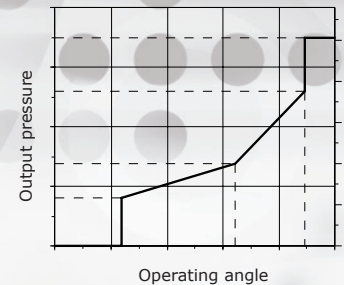
Straight type with step



Piecewise



Piecewise with step



Features

Original and Patented Design

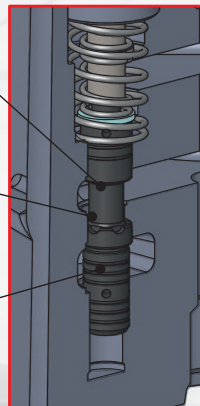
Walvoil changes the traditional construction architecture of differential area hydraulic joystick offering an innovative, original and patented product.

High Durability

The cast iron body and the treated spool ensure high durability, greater resistance to oil contamination and maintain unchanged characteristics (such as leakage) during the joystick's life cycle.

High Flow, low Pressure drop

Possibility to manage and regulate high flow rates, ensuring low pressure drop, thanks to the large diameters of the spools.



Handles

Endless possibilities to complete and customize the Joystick thanks to the compatibility with all the handles of the Walvoil catalogue.

Flange

Thanks to the modularity of the fixing flanges, the SVM980 is completely adaptable to the customer's needs.



walvoil
FLUID POWER EMOTION

walvoil

hydro control

Galtech

D1WWCF02A - 1th edition March 2019

Walvoil S.P.A. • 42124 Reggio Emilia • Italy Via Adige, 13/D • Tel. +39.0522.932411 • Fax +39.0522.300984

www.walvoil.com

